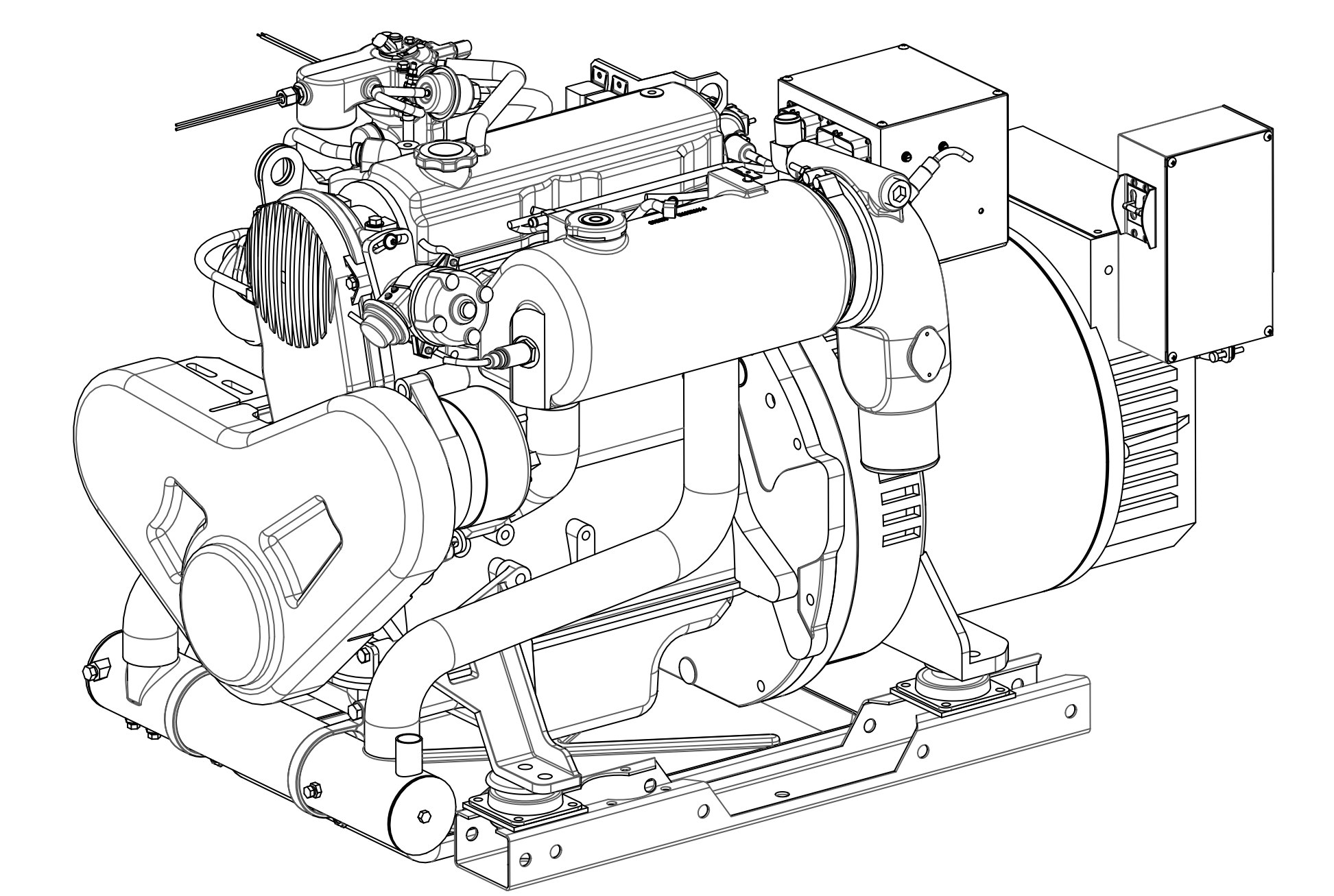
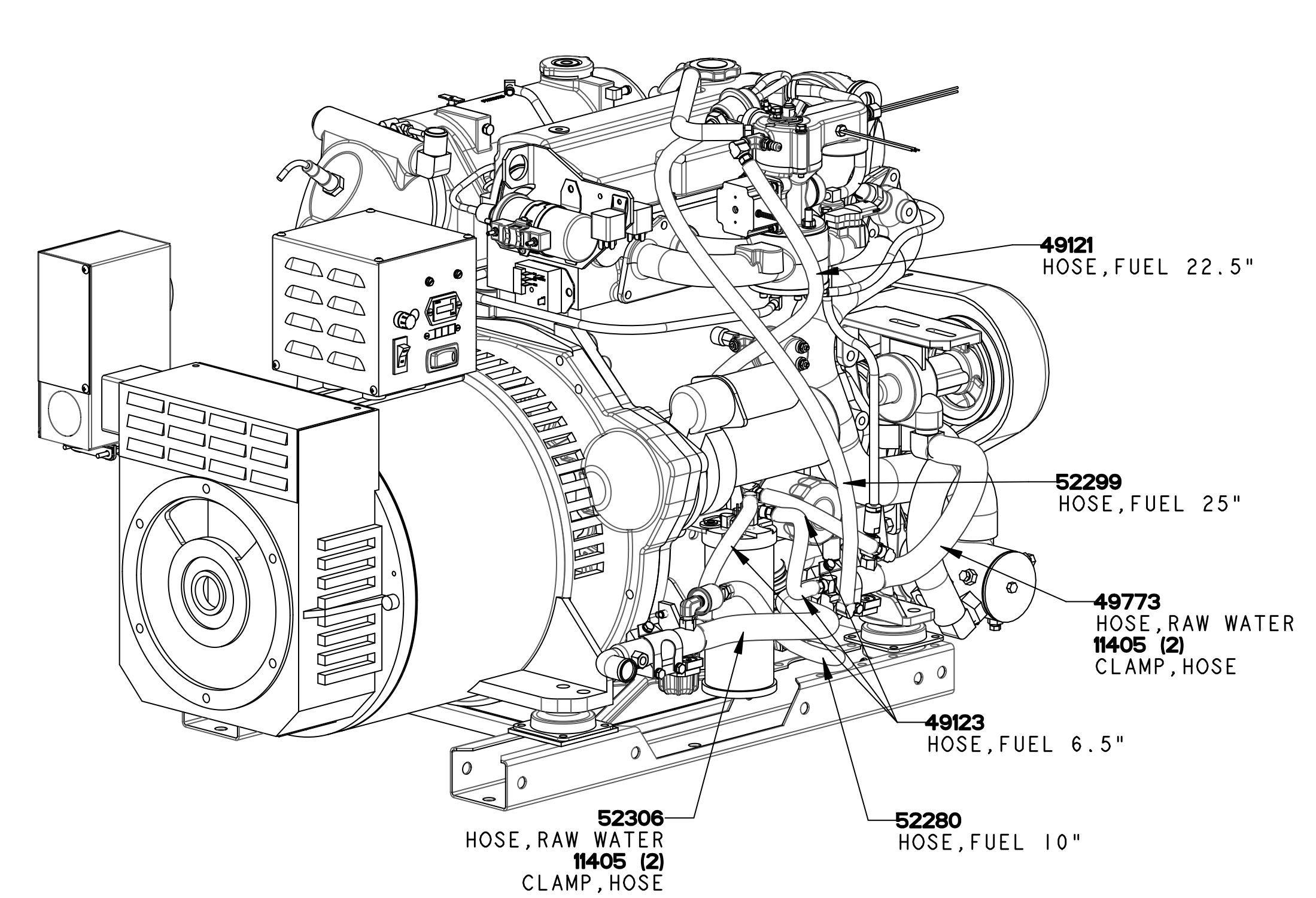
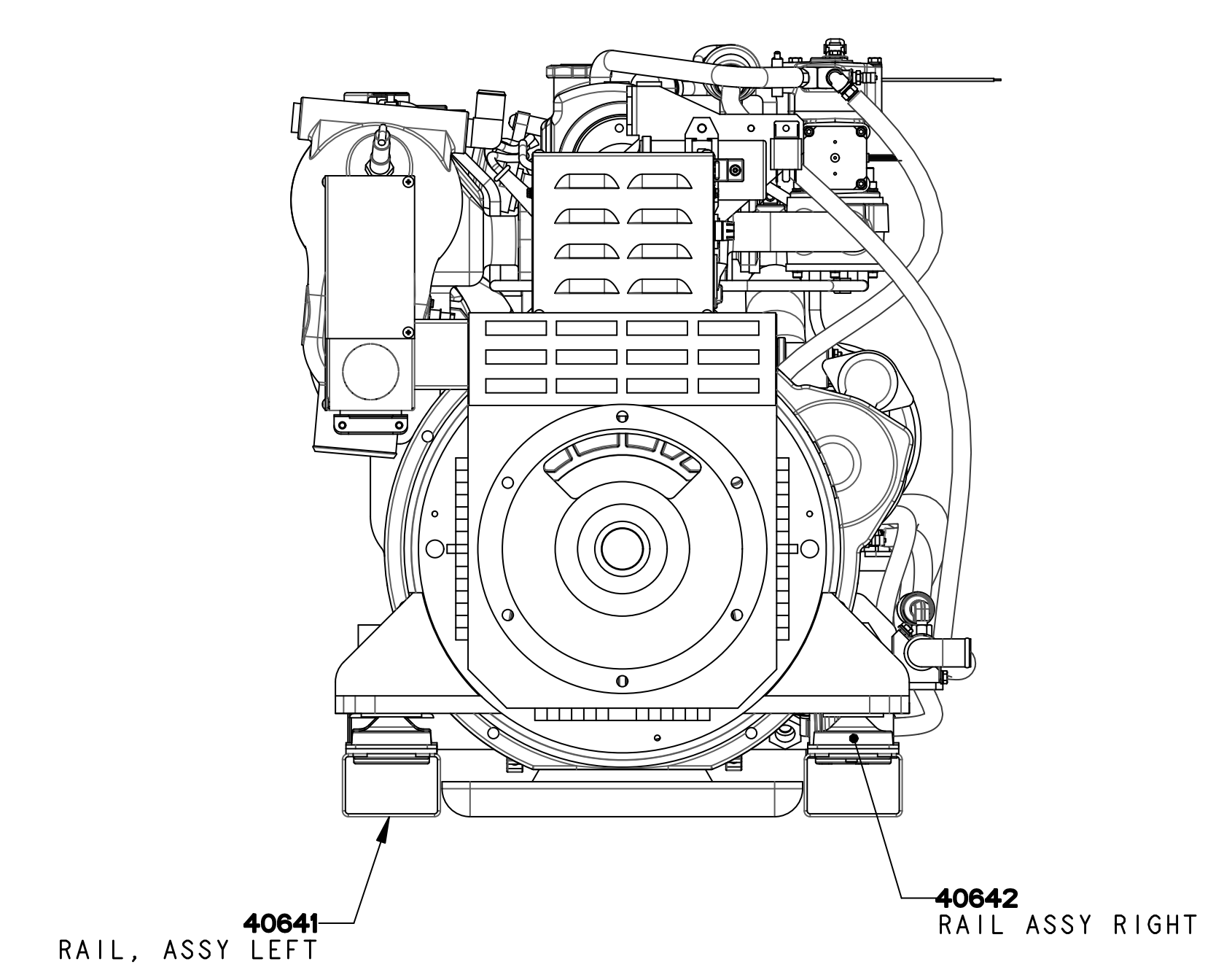
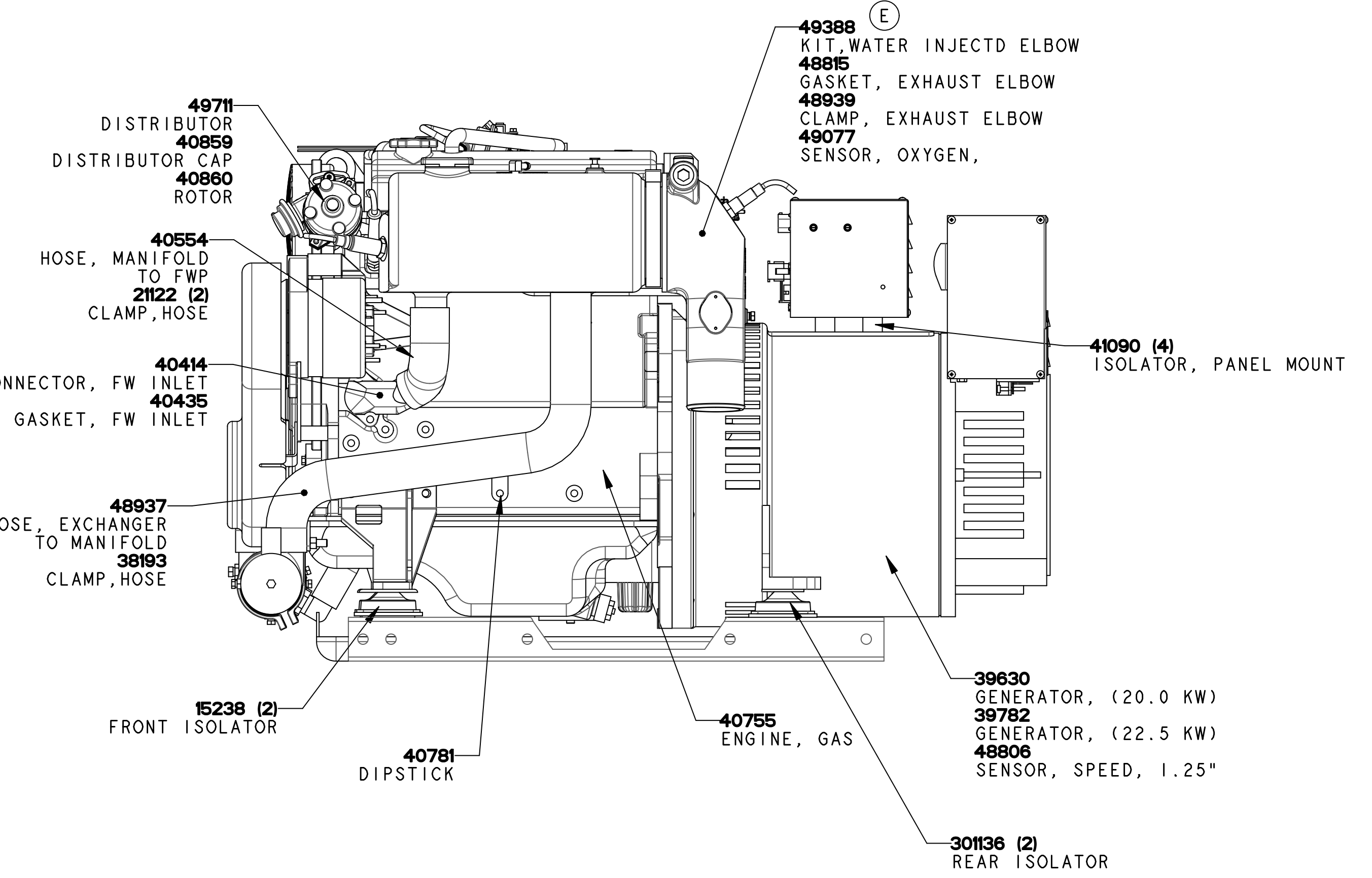
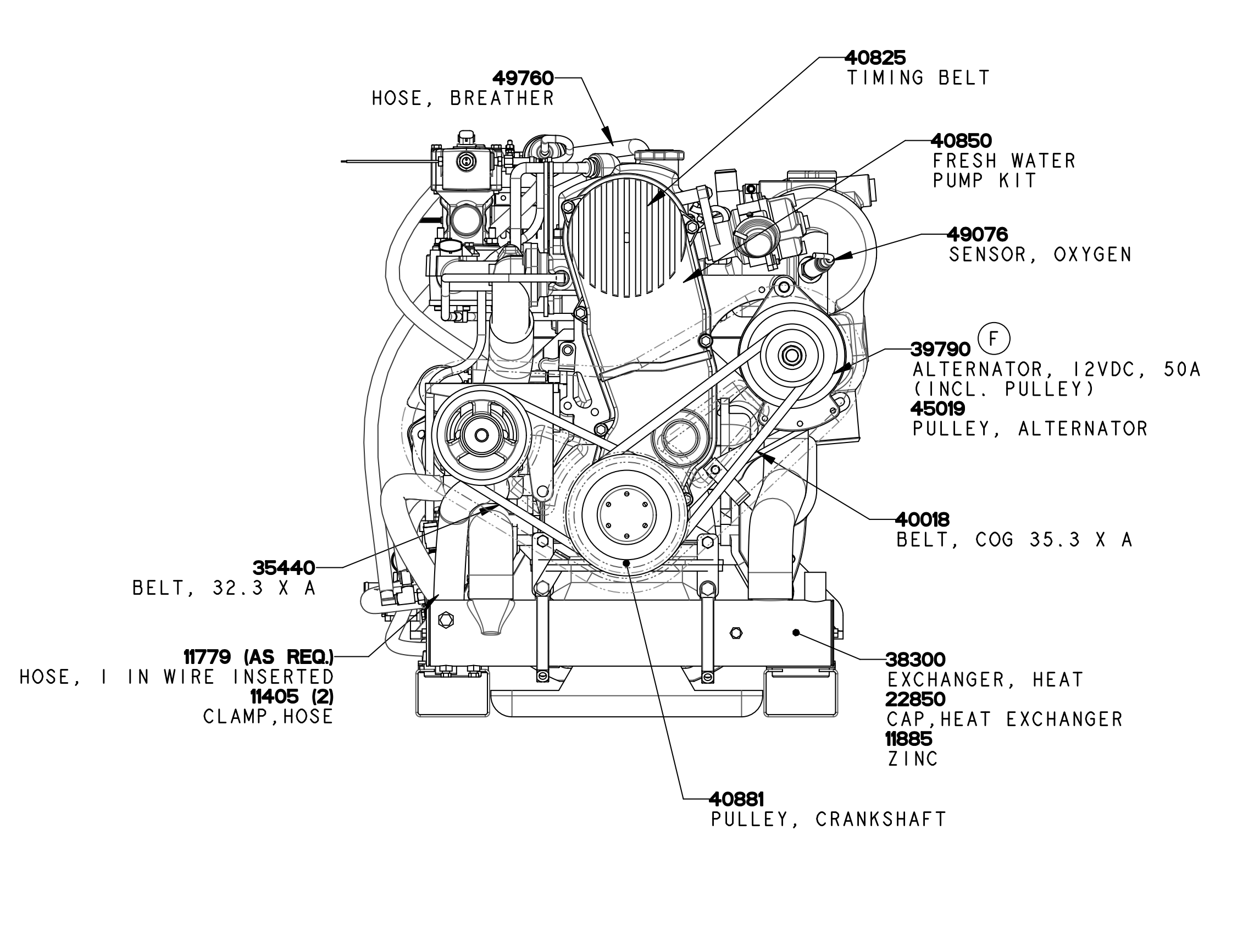
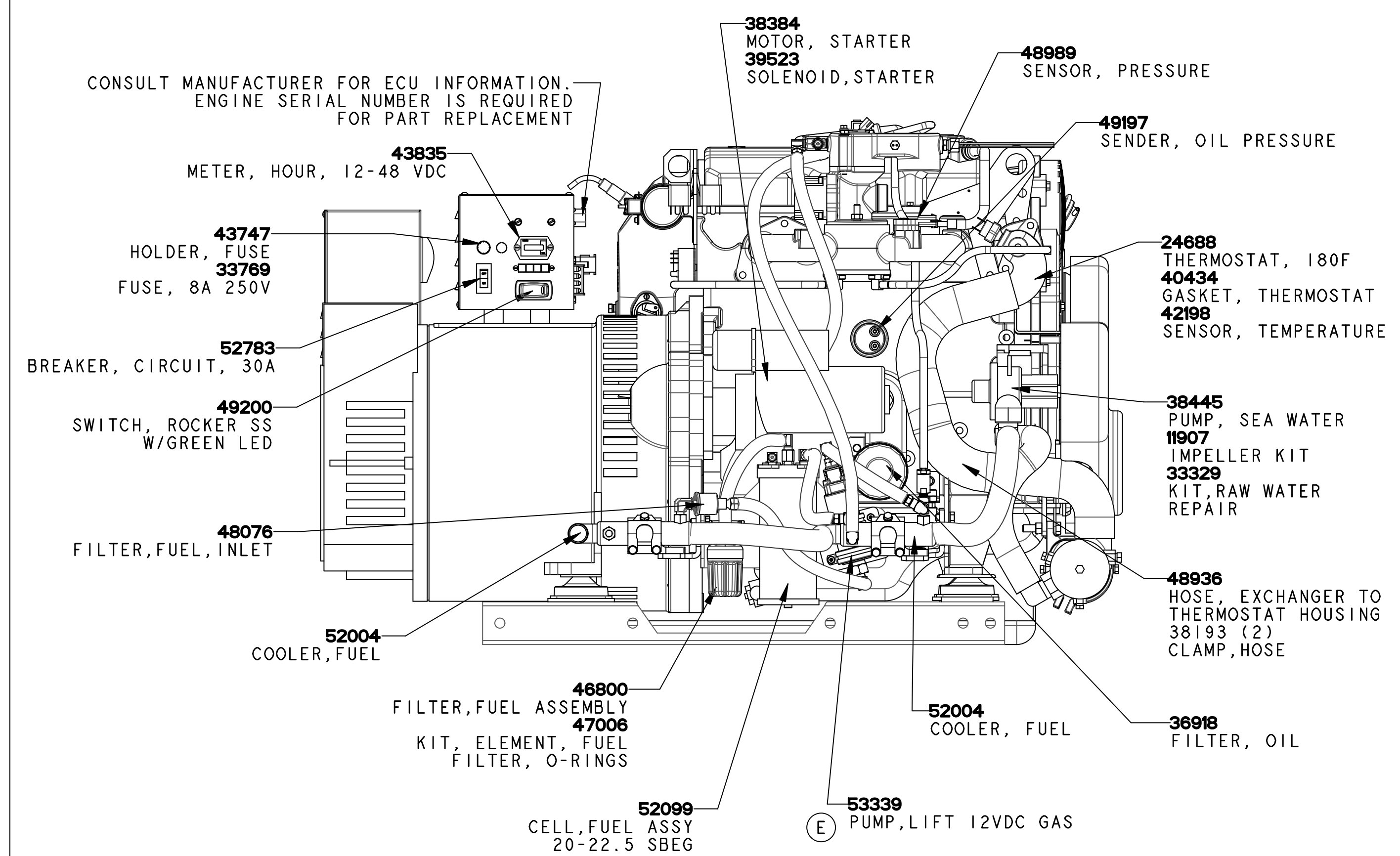
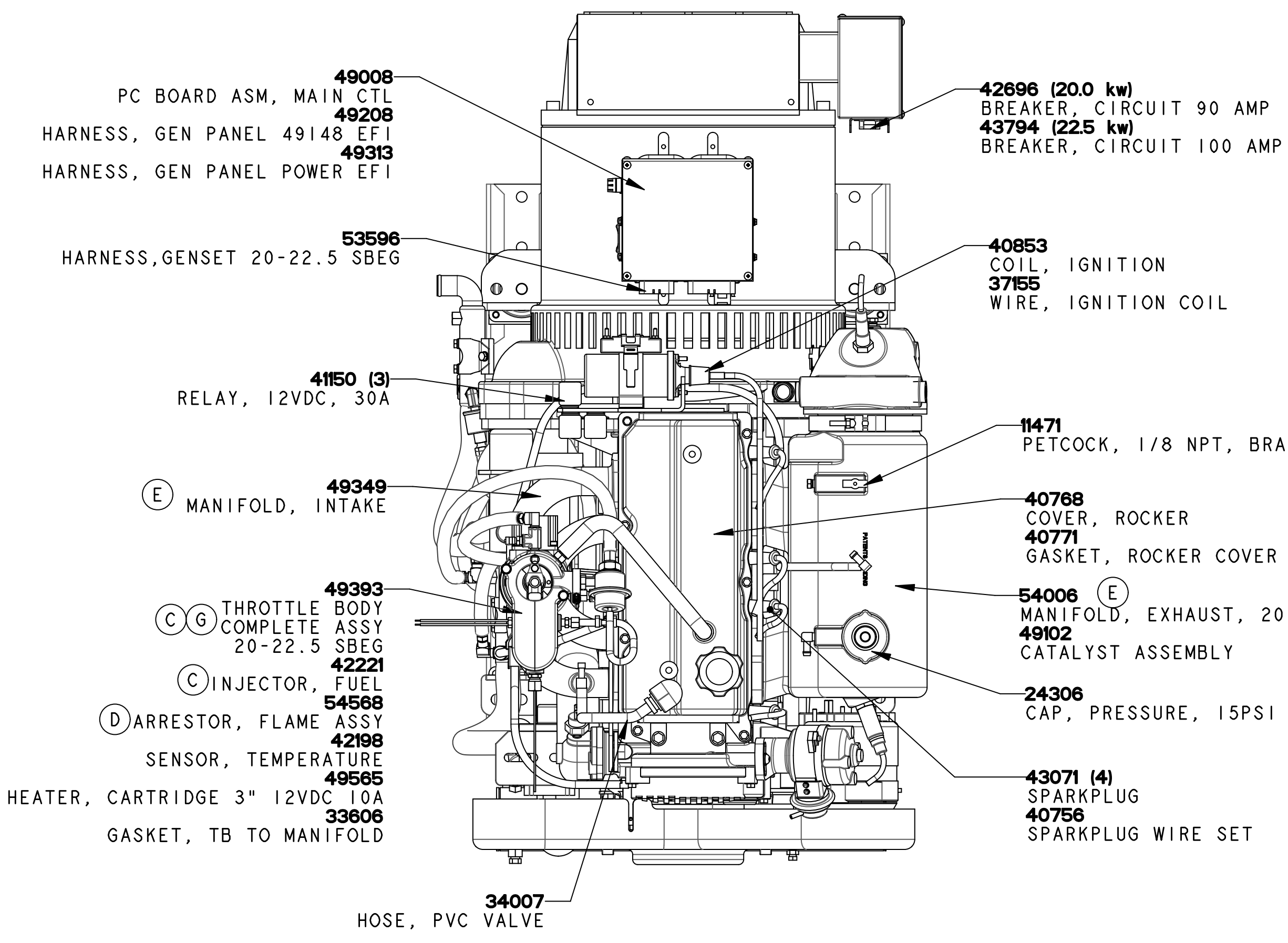


SERVICE PARTS

54568	AIR FILTER/FLAME ARRESTOR	-	MANUAL, PARTS DIAGRAM
48590	BELT GUARD	49197	OIL PRESSURE SENDER
35440	BELT, SEA WATER PUMP	-	PANEL, GENSET CONTROL
40018	BELT, STD. ALTERNATOR	-	PANEL, REMOTE INSTRUMENT
40825	BELT, TIMING	49148	PANEL, REMOTE START/STOP
24306	CAP, PRESSURE	33808	PCV VALVE
48981	CIRCUIT BREAKER 20A 12VDC	40850	PUMP, FRESH WATER
38686	DIODE	40851	PUMP, MOUNTING GASKET, FW
40781	DIPSTICK	48976	PUMP, FUEL LIFT
49711	DISTRIBUTOR	38445	PUMP, SEA WATER
40859	DISTRIBUTOR CAP	11907	PUMP, IMPELLER KIT
40864	DISTRIBUTOR IGNITER	33329	PUMP, REPAIR KIT
40860	DISTRIBUTOR ROTOR	14774	PUMP, SEAL
38698	DRIPTRAY	32149	REMOTE LUBE OIL FILTER
32923	EXHAUST TEMPERATURE SWITCH	40854	RESISTOR, BALLAST
47006	FILTER, FUEL	48806	SENSOR, SPEED
48076	FILTER, FUEL, 80 MICRON	49893	SPARE PARTS KIT A
36918	FILTER, LUBE OIL	49694	SPARE PARTS KIT B
33769	FUSE, 8A AMP	40855	SPARKPLUG
49696	GASKET SET, COMPLETE	38384	STARTER MOTOR
49695	GASKET SET, UPPER	39523	STARTER SOLENOID
40435	GASKET, FRESH WATER PUMP	49200	SWITCH, START/STOP
40772	GASKET, HEAD	24977	TANK, COOLANT RECOVERY
38300	HEAT EXCHANGER	24688	THERMOSTAT
22850	HEAT EXCHANGER END CAP	40434	THERMOSTAT MOUNTING GASKET
22851	HEAT EXCHANGER GASKET	40771	VALVE COVER GASKET
49697	HOSE KIT	42336	VOLTAGE REGULATOR
43835	HOURLY METER	49388	WATER INJECTED EXHAUST ELBOW
40853	IGNITION COIL/HOUSING ASM	42198	WATER TEMPERATURE SENDER
15238	ISOLATOR, FRONT	40756	WIRE SET, SPARKPLUG
301136	ISOLATOR, REAR	11885	ZINC
49800	MANUAL, OPERATOR	55882	MANUAL, SERVICE
ITEMS NOT SHOWN			
53596	HARNES, GENSET, 20.0-22.5 SBEG		



TOLERANCES (UNLESS OTHERWISE NOTED)		WESTERBEKE	
INCHES	MILLIMETERS	TITLE	DGPARTS - 20.0 - 22.5 SBEG
.XX ± .01	.XX ± .10	PARTS LIST DRAWING	
.XX ± .02	.XX ± .15	CAST	
.XX ± .03	.XX ± .13	FINISH	
ANGLES	°	DRAWN BY	BM
		DATE	9/Sep/04
		MATERIAL:	
DIMENSIONS	APPROVED BY	DATE	
INCHES	SCALE 0.200	SIZE	DRAWING NUMBER
MILLIMETERS			49326
(WHEN APPLICABLE)	SHT. 1 of 8	REV.	H